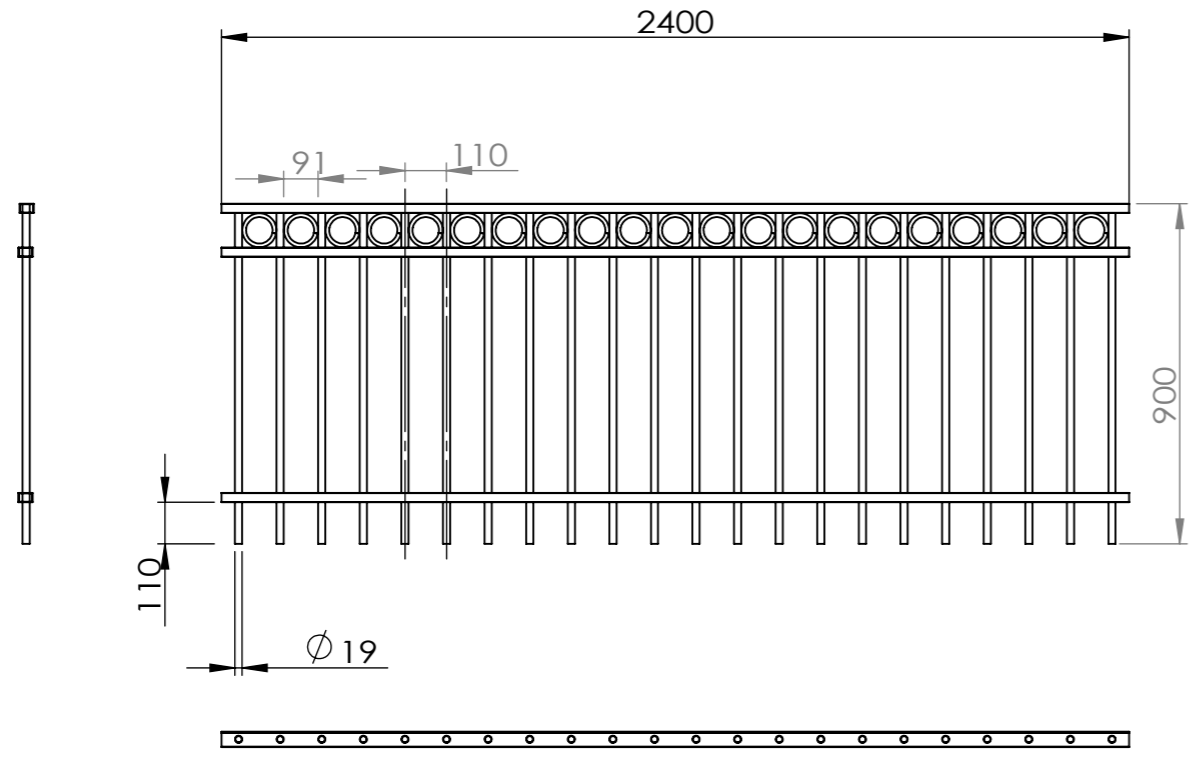


Ring Top with Picket Bottom 2400 x 900

ITEM NO.	PART NUMBER	DESCRIPTION	QTY
1	11201	Aluminium 19*1.2*898.4mm	22
2	11302	Aluminium 38*25*1.6*2400mm	2
3	11302	Aluminium 38*25*1.6*2400mm-half-hole	1
4	0102	Ring 90mm	21



GENERAL NOTES:
 1. UNLESS OTHERWISE SPECIFIED DIMENSIONS ARE MM.
 2. ALL DIMENSIONS ARE BEFORE ANY FINISHING OR COATING.
 3. ALL DIMENSIONS ARE ±1MM (UNLESS OTHERWISE NOTED).
 4. Drawings are for reference only, and if there is any change, consult with management

FENCE FOUNDRY
 METAL FENCES & GATES